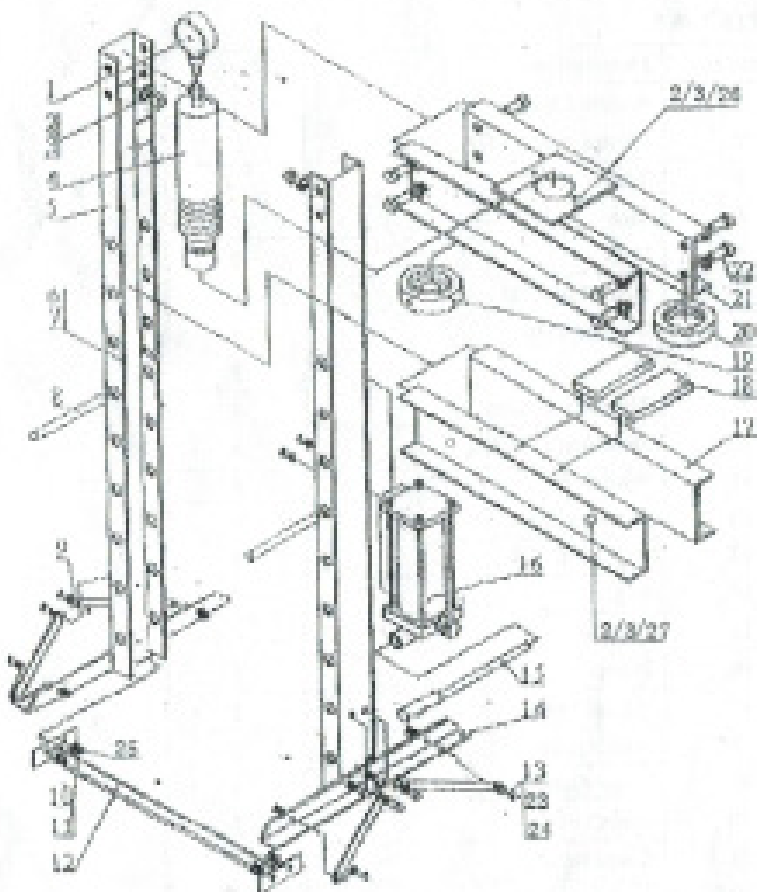


Exploded drawing of HYDRAULIC BENCH PRESS WITH PRESSURE GAUGE RD-HP04



**Parts List Hydraulic HYDRAULIC BENCH PRESS WITH
PRESSURE GAUGE RD-HP04**

Part No.	Description	Qty
1	Pressure gauge	1
2	Damping nut M16	12
3	Washer M16	12
4	Jack	1
5	Pole	2
6	Bolt M10X20	4
7	Washer M10	4
8	Pin	2
9	Tighten the screw	4
10	Damping nut M12	4
11	Washer M12	4
12	Connect board	1
13	Bolt M10X30	8
14	Leg	2
15	Handle	1
16	Pump	1
17	Adjust beam	2
18	Adjust plate	2
19	Light circle	1
20	Limit ring	2
21	Cross beam	1
22	Bolt M16X30	8
23	Washer M10	8
24	Damping nut M10	8
25	Bolt M12X30	4
26	Bolt M16X100	2
27	Bolt M16X150	2